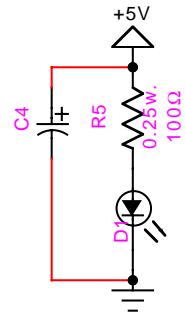
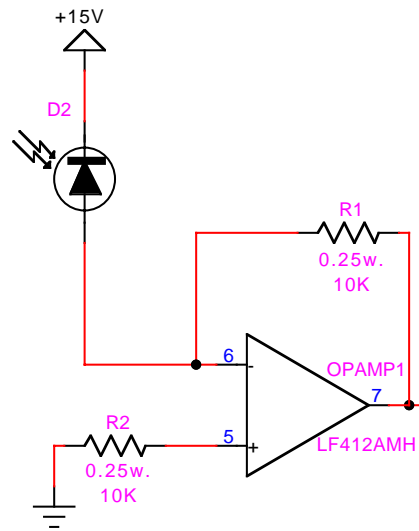


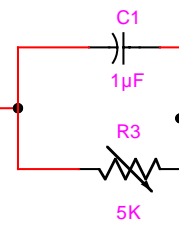
Cheerio Illumination LED



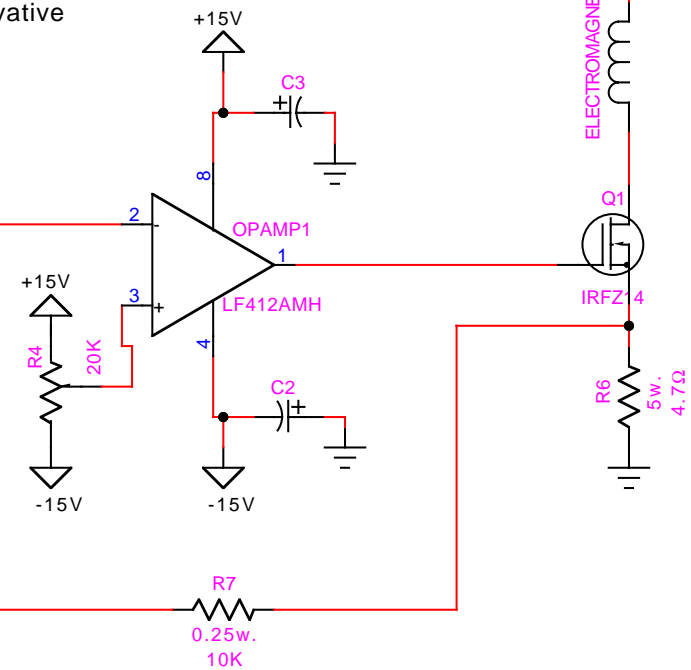
Cheerio Position Sensing Photodiode



Proportional & Derivative Feedback



Magnet Current Control



Levitated Cheerio Circuit  
©1999, Darren T. Garnier  
All Rights Reserved

garnier@psfc.mit.edu  
<http://www.psfc.mit.edu/ldx/>